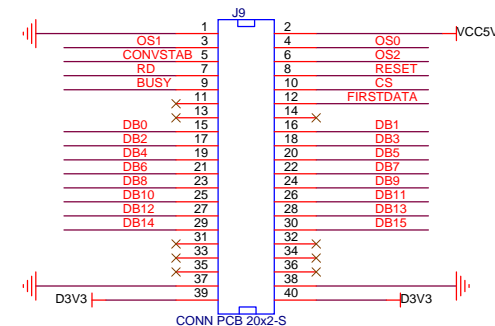


REF SELECT=0: External reference
 PAR/SER/BYTE_SEL=0: Parral mode
 RANGE=0: +5V Range



PCB连接器

Title		
8路16位AD驱动模块		
Size	Document Number	Rev
Custom<Doc>		
Date:	Tuesday, May 12, 2015	Sheet 1 of 1